



## NEW LONG STROKE BALANCER

### Advantages

- Reduces operator fatigue
- No need of electric or pneumatic power
- Increases productivity dramatically
- Increases safety while working with heavy loads
- Effective use of space
- Can be used vertically up & down
- Travel Length 2.3 meters

### Merits

- Made from high grade aluminium in pressure die casting
- Provides indicator for reading weight
- Top Hook & Bottom hook drop forged
- Steel core wire rope for long life
- Cartridge Type spring housed in casing made from EDD quality steel duly made from deep drawing dies
- Provision of worm & worm gear for easy tensioning which can be done from floor level
- Provision of thrust bearing on top hook to facilitate smooth rotation of spring balancer while in operation



### Applications

- Body shop of Cars, Jeeps, Trucks, Vans
- Assembly of Engines, Refrigerators
- Type-writers, Computers, Washing Machines, Television, VCR, Music System
- Portable Bag closing machines
- Pneumatic Tools Sanders, Grinders

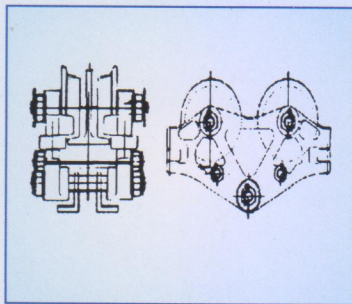
**WE ALSO SUPPLY SPRING BALANCER MODELS HSB - 9 TO HSB 220 WITH INSULATED HOOK TO BE USED IN BODY SHOP AREAS.**

# Technical Specifications

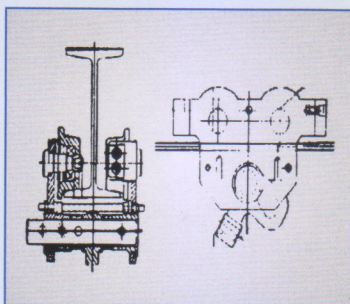
Model No	Capacity (kgs)	Cable travel (mtrs)	Diameter of Cable (Ø mm)	Mass (kgs)
HLSB - 70	50 - 70	2.3	5.0	20
HLSB - 90	75 - 90	2.3	5.0	22
HLSB - 110	90 - 110	2.3	5.0	25
HLSB - 120	105 - 120	2.3	5.0	25
HLSB - 140	120 - 140	2.3	5.0	27

'HENDO' I-Beam Trolley has been designed specially to be used alongwith spring balancers in weld shop of Automobiles on standard I-Beam (150 x 75) or (200 x 100) or (125 x 65) for 3 Dimensional movement on X-Y-Z axes. 'HENDO' Trolleys are rugged in construction made from steel side plates graded cast iron rollers with good quality roller bearings, Steel shafts nitrile rubber shock absorbers and powder coated for good surface finish. These trolleys are available in 4 models for suspending TRANSFORMER, WELDING GUN and KICKLESS CABLE

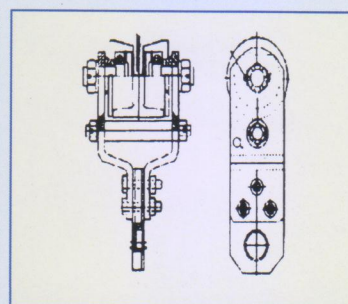
## HOT 0786 / 01



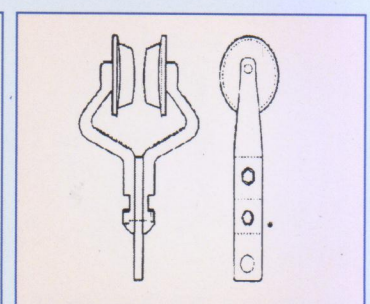
## HOT 0786 / 02



## HOT 0786 / 03



## HOT 0786 / 04

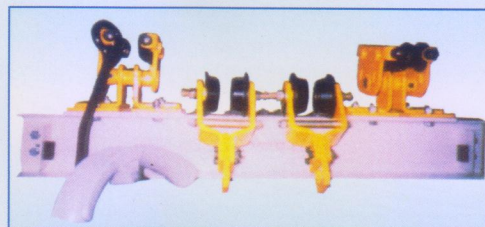


Model	HOT-0786/01
Capacity	1000kgs
Minimum radius for curve	1500 mm
Available beam	150x75x5.5 mm
Mass	13 kgs

Model	HOT-0786/02
Capacity	500kgs
Minimum radius for curve	1000 mm
Available beam	75 x 150 x 5.5 mm
Mass	6.5 kgs

Model	HOT-0786/03
Capacity	250kgs
Minimum radius for curve	1000 mm
Available beam	150x75x5.5 mm
Mass	Mass 6 kgs

Model	HOT-0786/04
Capacity	125kgs
Minimum radius for curve	300 mm
Available beam	125 x 65 x 5.0 mm
Mass	2.5 kgs



We also supply the above trolley system

Manufactured by :

**H HENDO INDUSTRIES**



ISO CERTIFIED COMPANY : 9001/14001/18001

Regd. Office : 303, 3rd Floor, Dadar Silver Sands Society, Near Janata Sahakari Bank Ltd.,  
Agar Bazar, S. K. Bole Road, Dadar (W), Mumbai - 400 028.

Fact.: Tex Centre, K Wing, 1st Floor, Chandivali Farm Road, Off Saki Vihar Road, Andheri (E), Mumbai - 400 072.  
Mob : 9819794744 / 9820214832 • E-mail : info@hendoindustries.com • Website : www.hendoindustries.com

Mr. Denver - 9819794744 • Mr. Keith (C.E.O.) - 9820214832 / 9930734532 • Skype - Keith0360